



DAPHNE DRESSING TABLE

Page 1



Inspired by 1960s Italian design, handmade in England.

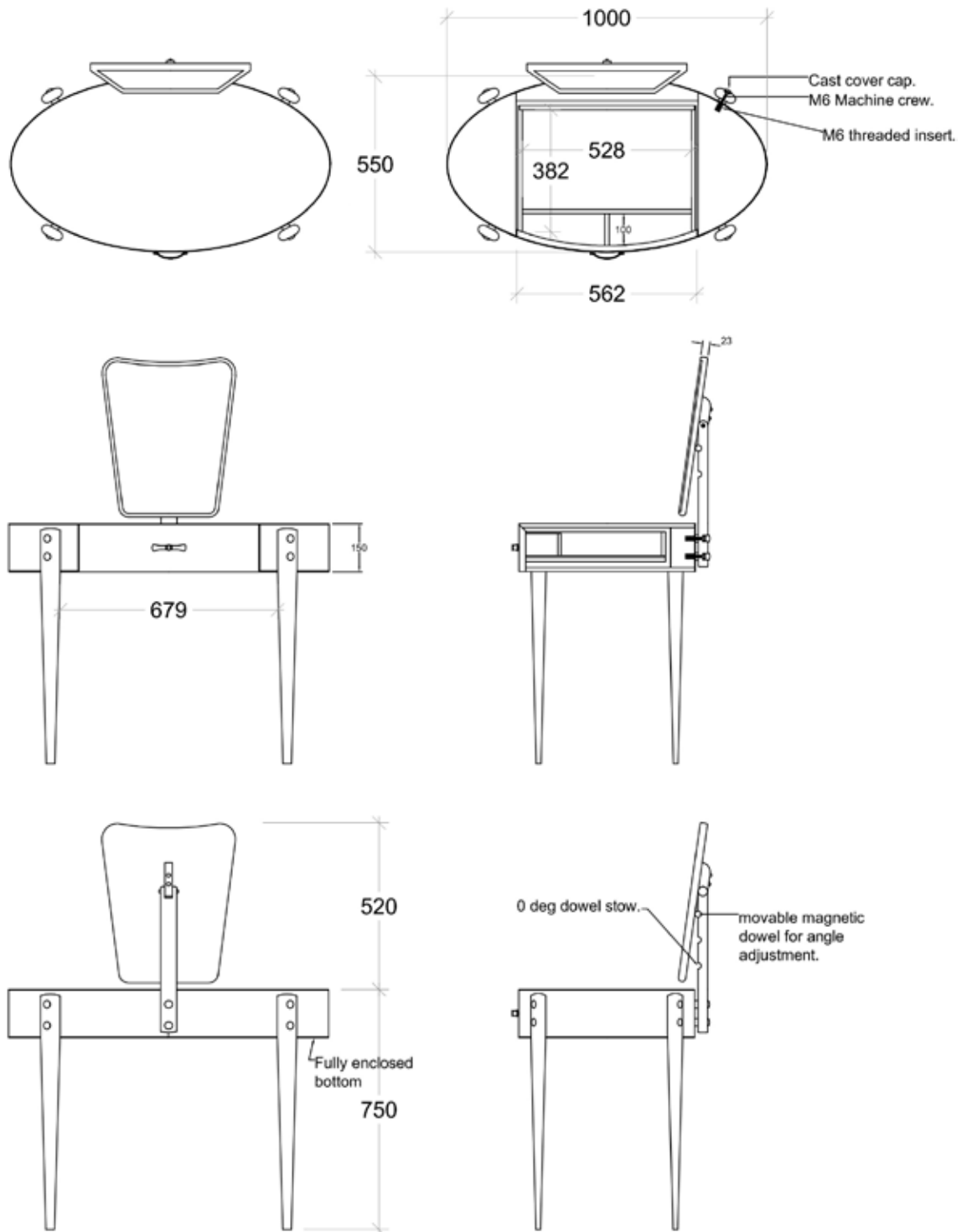
Shown here in walnut, dark French polish with antiqued silver finish bow handle and button detail. The handle and buttons are available in a range of metal finishes, please see page 4. An optional glass top is available.

Custom sizes, alternative timbers and finishes available.

Lead time 8 - 10 weeks

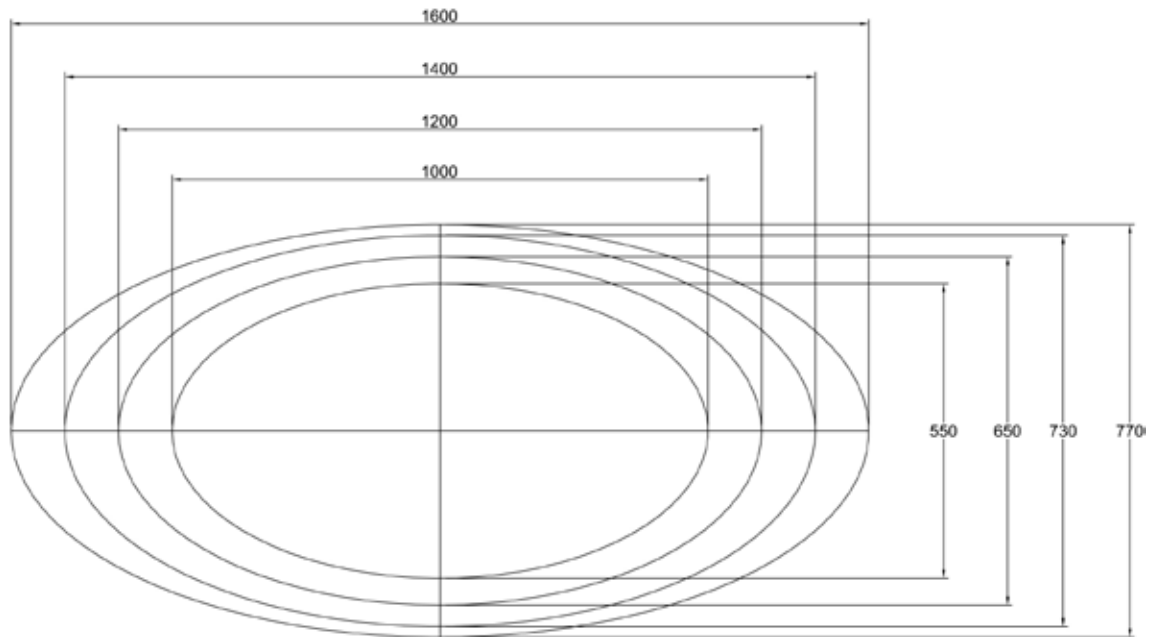


DAPHNE DRESSING TABLE





DAPHNE DRESSING TABLE



Example of alternative sizes - mm



DAPHNE DRESSING TABLE



Chrome



Bright Nickel



Satin Nickel



Antique Silver



Polished Brass



Bright Gilt



Antique Gilt



Antique Brass



FM Aged Brass



Antique Copper



Antique Bronze



Dark Bronze

The handle and buttons are available in any of the above finishes.

Our range of metal finishes are individually hand applied and therefore can vary within an acceptable tolerance. Some finishes may naturally age over time. Please contact us at the shop for any questions.



DAPHNE DRESSING TABLE



Limed Oak | Light | Lacquer



Limed Oak | Medium | Lacquer



Limed Oak | Dark | Lacquer



Oak | Light | Lacquer



Oak | Medium | Lacquer



Oak | Dark | Lacquer



Walnut | Light | Lacquer



Walnut | Medium | Lacquer



Walnut | Dark | Lacquer



Walnut | Light | French Polish



Walnut | Medium | French Polish



Walnut | Dark | French Polish



Mahogany | Light | French Polish



Mahogany | Dark | French Polish



Ebonised | Lacquer

Standard timber finishes shown. Alternative timbers and finishes are available, please enquire for more details.



CARE & MAINTENANCE

Page 6

Please note that all the instructions below are suggested methods of care and maintenance. We are not responsible for any damage incurred whilst cleaning. Always try a cleaning method on a hidden area first.

UNLACQUERED METAL FINISHES

For regular maintenance, dust lightly with a soft dry cloth. Most blemishes can be wiped off gently with a soft dampened cloth. Do not scrub with abrasive materials or use detergents, solvents or metal polishes.

In the case of bad soiling, a very mild soap solution can be used, but once the dirt has lifted, wipe off immediately. Care must be taken not to leave the surface wet for more than a few moments.

Clear wax can be used to leave a protective coat and add a little shine. The only products to use are pure, clear furniture waxes by quality brands or their aerosol equivalents. It is important not to use waxes with added cleaning agents or turpentine. The wax should be applied sparingly with a soft cloth and wiped off quickly before it dries. Application will be easier if the wax is warm.

PU LACQUER FINISHES

For regular maintenance, dust lightly with a soft cloth following the timber's grain. Most blemishes can be wiped off gently with a soft dampened cloth, again following the timber's grain. Do not rub with abrasive materials or use detergents or solvents.

Do not use furniture wax and/or spray polishes as these will affect the finish.

Anything with a rough or abrasive underside, for example cups or plates, will scratch the



CARE & MAINTENANCE

Page 7

PAINT LACQUER FINISHES

For regular maintenance, dust lightly with a soft cloth. Most blemishes can be wiped off gently with a soft dampened cloth. Do not rub with abrasive materials or use detergents or solvents.

Do not use furniture wax and/or spray polishes as these will affect the finish.

Anything with a rough or abrasive underside, for example cups or plates, will scratch the finish, however slightly. Always use soft base coasters.

Avoid direct sunlight and high temperatures as this will compromise the finish.

FRENCH POLISH FINISHES

For regular maintenance, dust lightly with a soft dry cloth following the timber's grain. Do not use a dampened cloth. Wipe up any spillages quickly as liquids compromise French polish. Do not rub with abrasive materials or use detergents or solvents.

Clear wax can be used which will add a little shine. The only products to use are pure, clear furniture waxes by quality brands. It is important not to use waxes with cleaning agents or turpentine. The wax should be applied sparingly with a soft cloth following the timber's grain and wiped off quickly before it dries. Application will be easier if the wax is warm. Buff to shine using a clean dry soft cloth, again following the timber's grain.

Do not use spray polishes as these will affect the finish.

Anything with a rough or abrasive underside, for example cups or plates, will scratch the finish, however slightly. Always use soft base coasters.

Avoid direct sunlight and high temperature as this will compromise the finish.

GLASS & MIRROR

For regular maintenance, the surface should be dusted with a soft dry cloth. Most blemishes can be removed using a dampened cloth and/or by the use of a quality brand glass cleaner.